

High Output Alternators 12 Volt/ 200, 270, and 320 Amp

Designed for reliable high output in applications where power demands are varied over a wide range of operating RPM's. The 4800/4900 Series delivers the same reliable heavy-duty performance that all Leece-Neville alternators are known for. They also feature an integral rectifier system and a wide range of regulator options.

Features & Benefits

- Integral rectifier system has 12 high amp diodes mounted in heavily finned aluminum heat sinks for efficient, cool operation
- Regulator options include self-excite, ignition excite, remote sense, or adjustable regulator type configurations
- Brush/slip ring system is enclosed to protect against road dirt, which gives longer life to system
- Fan design offers more efficient air flow and cooler operation under high output load conditions
- Balanced rotor system for smooth operation and increased bearing life
- Large, cartridge width, front ball bearing is used to support high belt loads seen on today's vehicles
- Unit uses high temperature grease and seals to assure long bearing life
- Heavy-duty aluminum housings are designed for both strength and lighter weight
- Unit provides 50% of rated output at 2000 RPM
- All units are fully supported with field representation, parts and technical service to help with all application needs

* Other features and configurations such as Hex shaft rotors are available. Talk to your Leece-Neville representative for models.

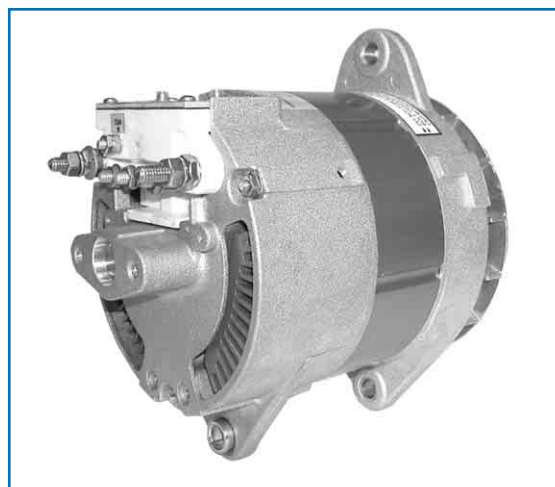
Options

- 12 Volt 200-320 Amp
- Remote sense and ignition excite or self excite
- J180, Pad and "T" Mounts

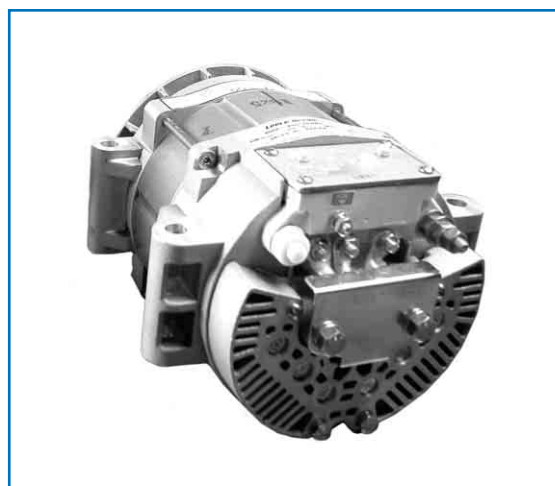
Applications

- Fire Equipment and Emergency Vehicles
- Shuttle Bus and RV's

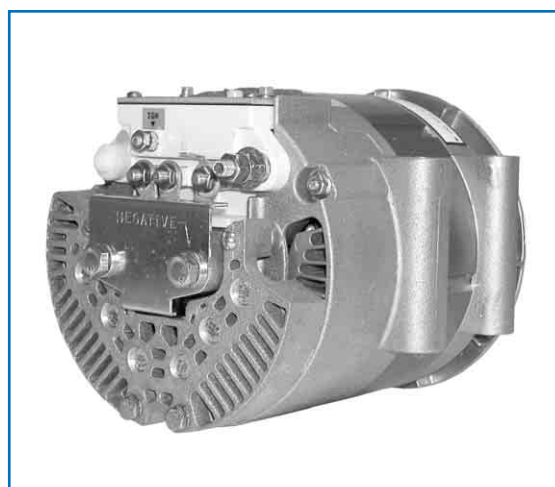
4860JB/4900PA Series



Dual foot J180 Mount



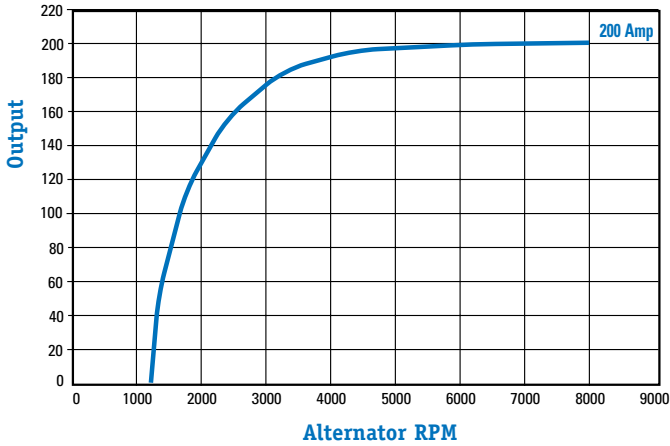
"4-Point" Pad Mount



"T" Mount

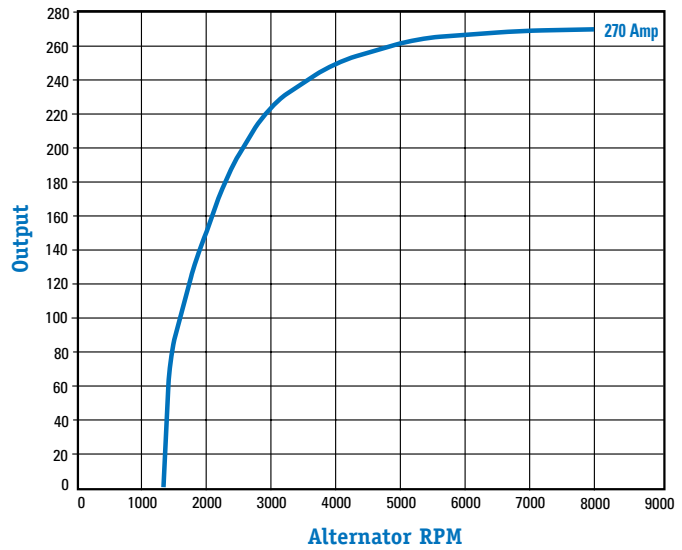
Product Performance

**12 Volt
200 Amp**



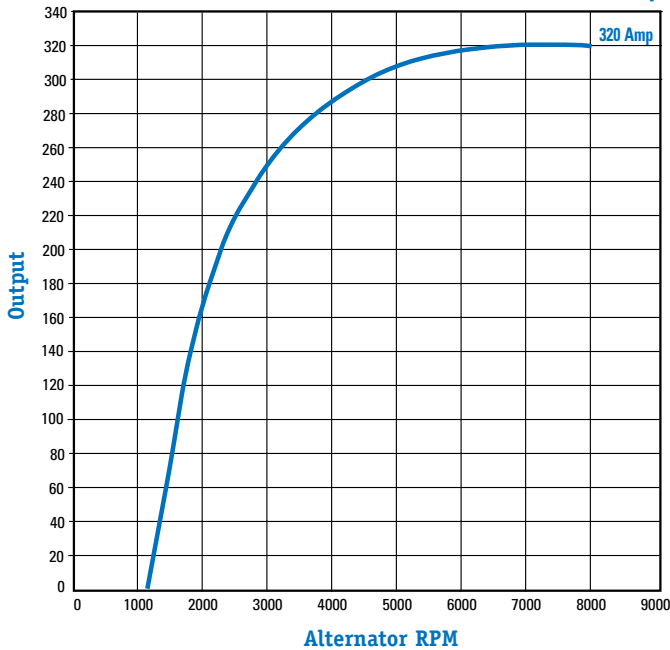
Maximum Continuous Speed - 8000 rpm
Stabilized Output @ 24°C

**12 Volt
270 Amp**



Maximum Continuous Speed - 8000 rpm
Stabilized Output @ 24°C

**12 Volt
320 Amp**

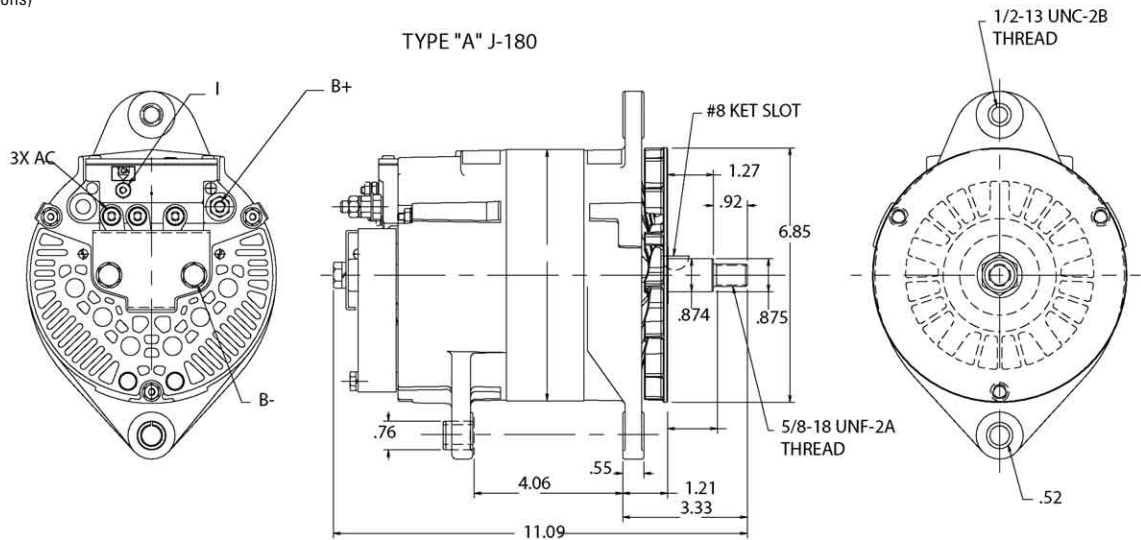


Maximum Continuous Speed - 8000 rpm
Stabilized Output @ 24°C

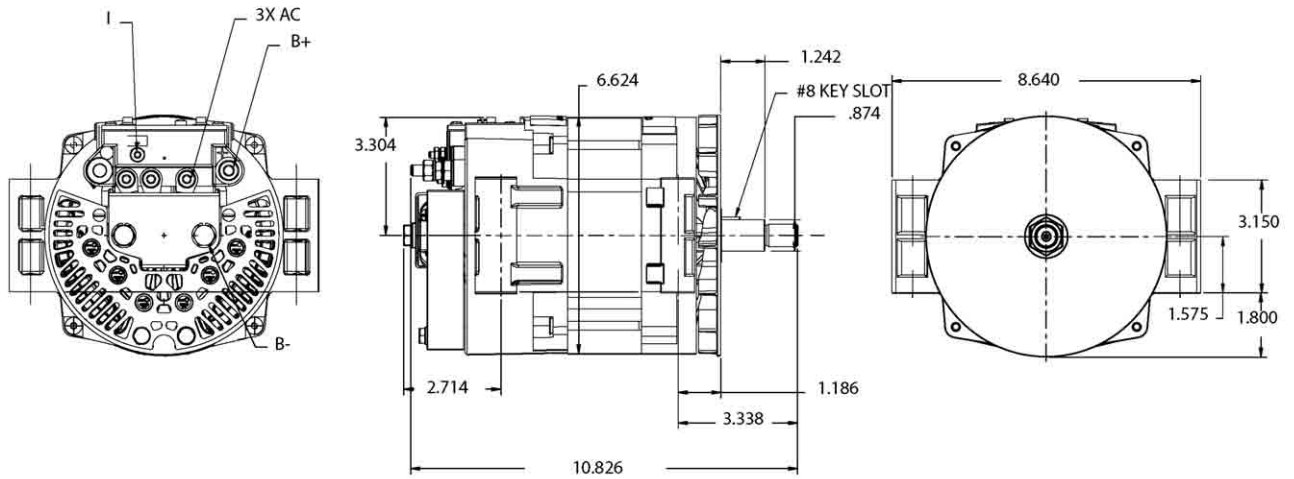
Dimensions

(typical dimensions)

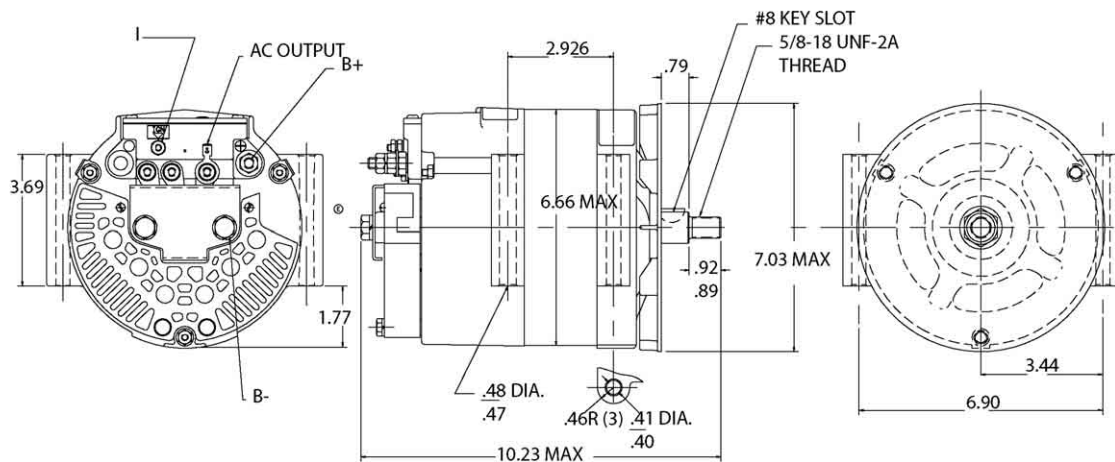
TYPE "A" J-180



TYPE "B" PAD MOUNT



TYPE "C" T-MOUNT



Specifications

Dual Foot J-180 Mount	Model No. Sales No.	A0014860JB 4860JB	A0014861JB 4861JB	A0014863JB 4863JB	A0014884JB 4884JB		A0014867JB 4867JB	A0014870JB 4870JB	A0014874JB 4874JB
4-Point Pad Mount	Model No. Sales No.	A0014940PA 4940PA		A0014951PA 4951PA			A0014949PA 4949PA	A0014947PA 4947PA	A0014942PA 4942PA
"T" Mount	Model No. Sales No.					A0014900JBS 4900JBS			
Dimension Type		A/B	A	A/B	A	C	A/B	A/B	A/B
Output Stabilized									
Alternator RPM 5000 RPM							270A	270A	270A
Alternator RPM 4000 RPM		200A	200A	200A	200A	200A			
Alternator RPM 2000 RPM		125A	125A	125A	125A	125A	149A	149A	149A
Operating Temperature		-40C to 93C*	-40C to 93C*	-40C to 93C*	-40C to 93C*	-40C to 93C*	-40C to 93C*	-40C to 93C*	-40C to 93C*
Rotation Direction		CW	Bi Directional	CW	CW	Bi Directional	CW	CW	CW
Max. Continuous Alternator RPM		8000	8000	8000	8000	8000	8000	8000	8000
Excitation Type		Ignition	Ignition	Self	Ignition	Ignition	Self	Ignition	Ignition
Ground		Negative Case	Negative Case	Negative Case	Negative Case	Negative Case	Negative Case	Negative Case	Negative Case
Regulator Set Point Voltage		14.0	14.0	14.2	14.0	14.2	14.2	14.0	14.0
Voltage Adjustment		+1.0V	+1.0V	Fixed	+1.0V	+1.0V	Fixed	+1.0V	+1.0V
Regulator Service No.		100650	100650	102835	100650	100650	102835	100650	100650
Weight (lbs)		33	33	33	33	31	33	33	33
Terminal Size:	B+	5/16"-18	5/16"-18	5/16"-18	5/16"-18	5/16"-18	5/16"-18	5/16"-18	5/16"-18
	B-	3/8"-16	3/8"-16	3/8"-16	3/8"-16	3/8"-16	3/8"-16	3/8"-16	3/8"-16
	AC	1/4"-20	1/4"-20	1/4"-20	1/4"-20	1/4"-20	1/4"-20	1/4"-20	1/4"-20
	Lamp	N/A	N/A	N/A	N/A	N/A	N/A	N/A	N/A
	Sense	N/A	N/A	N/A	10-32	N/A	N/A	N/A	10-32
	IGN	10-32	10-32	N/A	10-32	10-24	N/A	10-32	10-32

Dual Foot J-180 Mount	Model No. Sales No.	A0014871JB 4871JB	A0014876JB 4876JB					A0014890JB 4890JB
4-Point Pad Mount	Model No. Sales No.			A0014944PA 4944PA	A0014991PA 4991PA	A0014992PA 4992PA		A0014962PA 4962PA
"T" Mount	Model No. Sales No.						A0014970JBS 4970JBS	
Dimension Type		A	A	B	B	B	C	A/B
Output Stabilized								
Alternator RPM 5000 RPM		270A	270A	270A	270A	270A		320A
Alternator RPM 4000 RPM							270A	
Alternator RPM 2000 RPM		149A	149A	149A	149A	149A	149A	163A
Operating Temperature		-40C to 93C*	-40C to 93C*	-40C to 93C*	-40C to 93C*	-40C to 93C*	-40C to 93C*	-40C to 93C*
Rotation Direction		CW	CW	CW	CW	CW	Bi Directional	CW
Max. Continuous Alternator RPM		8000	8000	8000	8000	8000	8000	8000
Excitation Type		Ignition	Ignition	Self	Self	Self	Ignition	Self
Ground		Negative Case	Negative Case	Negative Case	Negative Case	Negative Case	Negative Case	Negative Case
Regulator Set Point Voltage		14.0	14.0	14.0	14.0	14.0	14.0	14.2
Voltage Adjustment		+1.0V	+1.0V	Fixed	+1.0V	+1.0V	+1.0V	Fixed
Regulator Service No.		100650	100650	102835	100650	100650	100650	102835
Weight (lbs)		33	33	33	33	32	33	32
Terminal Size:	B+	5/16"-18	5/16"-18	5/16"-18	5/16"-18	5/16"-18	5/16"-18	5/16"-18
	B-	3/8"-16	3/8"-16	3/8"-16	3/8"-16	3/8"-16	3/8"-16	3/8"-16
	AC	1/4"-20	1/4"-20	1/4"-20	1/4"-20	1/4"-20	1/4"-20	1/4"-20
	Lamp	N/A	N/A	N/A	N/A	N/A	N/A	N/A
	Sense	N/A	N/A	N/A	SYNC 10-24	SYNC 10-24	N/A	N/A
	IGN	10-32	10-32	N/A	N/A	N/A	10-24	N/A
Notes					Twin Power Use with 4992PA	Twin Power Use with 4991PA		

* Leece-Neville is aggressively re-engineering our high volume alternators to the 110 °C / 230 °F specification. However, not all alternators in the series listed may have been converted to date. Please contact your Leece-Neville representative for additional details.

MANUFACTURING & OE SALES
LEECE-NEVILLE HEAVY DUTY SYSTEMS
 400 Main Street
 Arcade, NY 14009
 (585) 492-1700
 Fax: (585) 492-1660

QS9000 Certified
www.prestolite.com

AFTERMARKET SALES LEECE-NEVILLE
 7585 Empire Drive
 Florence, KY 41042
 (800) 354-0560
 (859) 525-8801
 Fax: (800) 997-6202